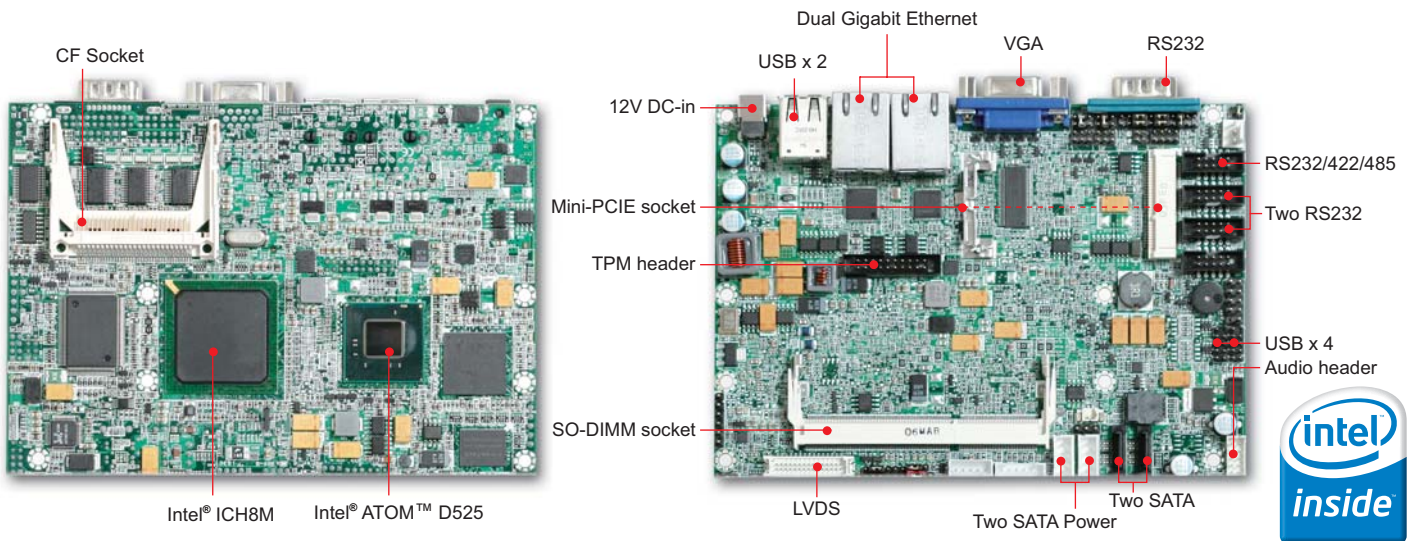


PEB-2771VG2A

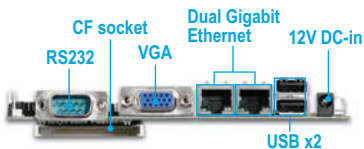
3.5" Embedded size, Based on Intel® 45nm Low Power Pineview processor with DDR3 SODIMM, dual display by VGA/LVDS, Dual GbE, Audio, COM and USB



FEATURES

- Intel® Atom™ processor D525 and ICH8M chipset
- One 204-pin SO-DIMM support DDR3 800 SDRAM up to 4GB
- Dual independent display: VGA/24bit LVDS
- Dual Gigabit Ethernet
- Storage: One Compact Flash/Two SATA ports
- 12V DC input
- One Mini-PCIE socket

REAR/I/O



PACKING LIST

- CPU heatsink x1
- Utility CD x1
- SATA cable x1
- SATA power cable x1

ORDERING GUIDE

Standard	PEB-2771VG2A 3.5" Embedded size, Based on Intel 45nm Low Power Pineview processor D525 with DDR3 SODIMM, Dual display by VGA/LVDS, Dual GbE, Audio, COM and USB
-----------------	--

OPTIONAL

Part No.	QTY	Description
B6901970	1	USB Cable
B7866130	1	COM Cable

SYSTEM

CPU	Intel® Atom™ processor D525 1.8GHz
Chipset	Intel® ICH8M
System Memory	One 204-pin SO-DIMM support DDR3 800 up to 4GB
BIOS	AMI
SSD	Type II CompactFlash socket
Storage Devices	Two SATA ports
Watchdog Timer	Programmable via S/W from 1sec. to 255min.
Expansion Interface	One Mini-PCIE socket
Hardware Monitoring	- Temperature (CPU and System) - Voltage (CPU Vcore, VBAT, 5VSB, 12V, 5V, 3.3V)
Power Requirement	12V DC Input
Dimension	146(L) x 105(W) mm; 5.75"(L) x 4.0"(W)
Environment	Operation temperature: 0~60°C Storage temperature: -20~80°C Operation humidity: 5~95%, non-condensation

I/O

MIO	Two SATA ports, four serial ports: One DB9 & three box headers, one CF socket and one Mini-PCIE socket
Ethernet	Dual RJ45 Gigabit Ethernet
Audio	High Definition Audio with one Line-out/Mic-in header
USB	2 x USB 2.0 ports and 4 x USB 2.0 with header
Keyboard & Mouse	One K/B & M/S pin header

DISPLAY

Graphic Controller	Intel® Atom™ processor (D525) Integrated Intel® DX9 graphics
Graphic Memory	Intel® Dynamic Video Memory Technology 4.0
Display Interface	Dual Channel 24bit LVDS/VGA