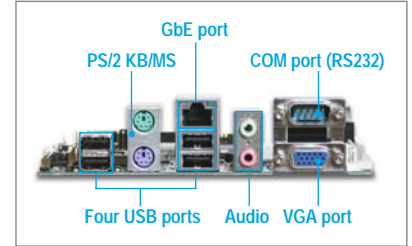
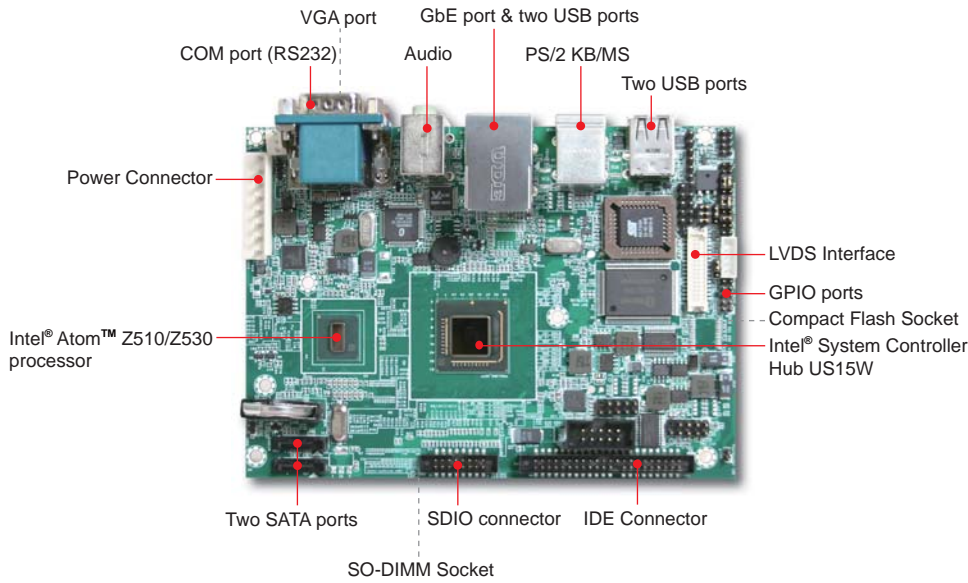


# PEB-2737

Intel® 45nm Ultra Low Power Atom™ processor based ECX embedded board with VGA, LVDS, Gigabit Ethernet, Audio, USB and SDIO



Rear I/O

## FEATURES

- Intel® Atom™ processor Z510 / Z530 and System Controller Hub US15W (TDP≤5W)
- One 200-pin SO-DIMM supports DDR2 SDRAM up to 2GB
- One Type II Compact Flash, one IDE & two SATA ports
- Dual independent display: VGA and 24bit LVDS
- One Gigabit Ethernet

## PACKING LIST

ATX Power cable	x1
CPU heatsink	x1
Utility CD	x1

## ORDERING GUIDE

<b>Standard</b>	PEB-2737VLA-1100 3.5" ESB based on Intel® Atom™ 1.1G processor with VGA/LVDS, LAN, COM, USB and Audio
<b>Optional</b>	PEB-2737VLA-1600 3.5" ESB based on Intel® Atom™ 1.6G processor with VGA/LVDS, LAN, COM, USB and Audio

## OPTIONAL

Part No.	QTY	Description
B2900260	1	SATA cable
B690004S	1	IDE cable
AB9-3050Z	1	SDIO daughter board

## SYSTEM

CPU	Intel® Atom™ processor Z510 / Z530 FSB: 400/533 MHz
Chipset	Intel® System Controller Hub US15W
System Memory	One 200-pin SO-DIMM support DDR2 533/400 up to 2GB
BIOS	AMI
SSD	Type II CompactFlash socket
Storage Devices	One 44-pin IDE connector & two SATA ports
Watchdog Timer	Programmable via S/W from 1sec to 255min.
Expansion Interface	N/A
Hardware Monitoring	- Temperature (CPU and System) - Voltage (CPU Vcore, VBAT, 5VSB, 12V, 5V, 3.3V)
Power Requirement	ATX compliant power
Dimension	102(W) x 146(H) mm; 4.01"(W) x 5.74"(H)
Environment	Operation temperature: 0~60° C Storage temperature: -20~80° C Operation humidity: 5~95%, non-condensation

## I/O

MIO	1 x EIDE, 2 x SATA, 2 x RS232: One DB9 & one pin header, 1 x SDIO, 1 x K/B, 1 x Mouse, 1 x GbE
IrDA	N/A
Ethernet	One Gigabit Ethernet
Audio	Mic in, Line out
USB	4 x USB 2.0 ports & 3 x USB 2.0 with header
IEEE 1394a	N/A

## DISPLAY

Graphic Controller	Intel® System Control Hub US15W integrated graphics
Graphic Memory	Intel® GMA 500
Display Interface	VGA / 24bit LVDS



### Portwell, Inc. Headquarters

4F, No. 186, Jian-Yi Rd., Chung-Ho City,  
235 Taipei, Taiwan  
Tel: +886-2-77318888  
Fax: +886-2-82271109  
E-mail: info@portwell.com.tw  
http://www.portwell.com.tw

### American Portwell

Fremont CA Tel: +1-510-403-3399  
Norcross GA Tel: +1-678-969-9808  
E-mail: info@portwell.com  
http://www.portwell.com

### Portwell Japan, Inc.

Tokyo Tel: +81-3-5298-8071  
Osaka Tel: +81-6-4791-2201  
E-mail: info@portwell.co.jp  
http://www.portwell.co.jp

### Beijing Portwell

Beijing Tel: +86-10-82701616  
Shanghai Tel: +86-21-3222-0505  
Shenzhen Tel: +86-755-8621-7695  
E-mail: info@portwell.com.cn  
http://www.portwell.com.cn

### Portwell-Laxsons India

Tel: +91-22-2685-9911  
E-mail: info@portwellaxsons.com  
http://www.portwellaxsons.com

### Portwell, B.V.

Tel: +31-252-620790  
E-mail: info@portwell.nl  
http://www.portwell.nl

### Portwell (UK) Ltd.

Tel: +44(0)1235-750760  
E-mail: info@portwell.co.uk  
http://www.portwell.co.uk