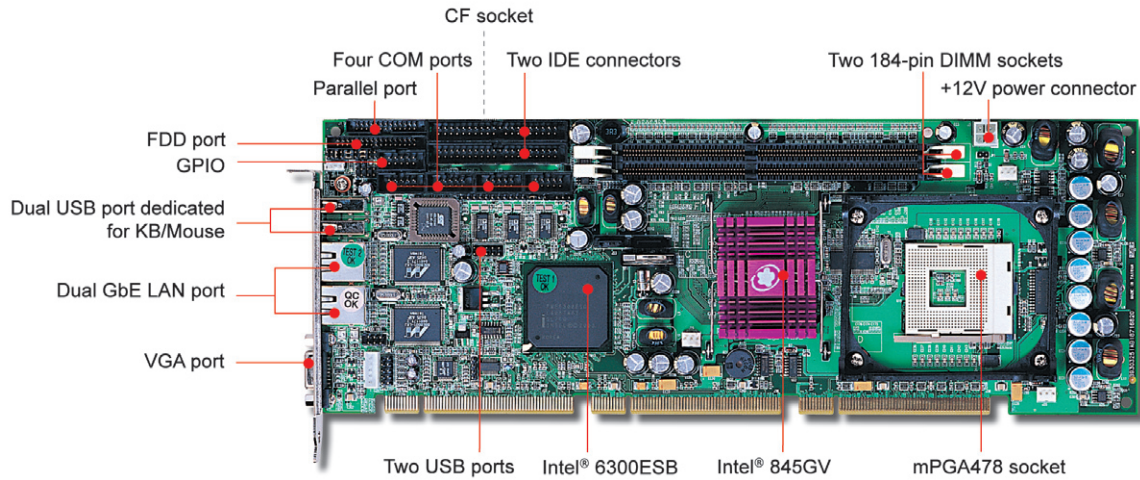


ROBO-8716VG2A

Intel® Pentium® 4 or Celeron® (D) processor based PICMG 1.2 (ePCI-X) SHB with DDR SDRAM, VGA, Dual Gigabit Ethernet, Audio and USB 2.0



FEATURES

- PICMG 1.2 SHB supports one PCI and one PCI-X (66MHz only); independent architecture of these two buses increase total bandwidth of expansion
- High quality and reliable design for wider range Intel® Pentium® 4/Celeron® (D) (0.13 micron & 90 nm process) processor support mission critical operation
- Support Mobile Intel® Pentium® 4-M processor for low power consumption application
- Dual on-board Gigabit Ethernet for network redundancy application
- Dual SATA port supports higher throughput storage devices
- Standard features for embedded system deployment like H/W monitoring, WDT, SSD and Wake-On-LAN

ORDERING GUIDE

| | |
|-----------------|--|
| Standard | ROBO-8716VG2A Intel® Pentium® 4 or Celeron® (D) processor based PICMG 1.2 (ePCI-X) SHB with DDR SDRAM, VGA, dual Gigabit Ethernet, audio and USB 2.0 |
| Optional | PA-M1AU Multimedia kit for P4 SBC with audio and USB ports |
| | PS/2 Keyboard/Mouse Cable with Bracket PS/2 keyboard / mouse connectors on bracket |

GENERAL

| | |
|---------------------|---|
| CPU | - CPU & Package: Intel® Pentium® 4/Celeron® (D) or Mobile Intel® Pentium® 4-M processor in the mPGA478 package - FSB: 800*/533/400MHz |
| Chipset | Intel® 845GV and 6300ESB |
| Memory | Up to 2GB DDR 400*/333/266 SDRAM on two 184-pin DIMM sockets |
| BIOS | Award BIOS |
| Display | - Intel GMCH integrated graphics controller - Dynamic 8 ~ 64MB shared display memory (Intel® DVMT) - Display resolution up to 2048x1536 @ 60Hz refresh - Superior 2D, 3D and video performance |
| Ethernet | - 10BASE-T/100BASE-TX/1000BASE-T Ethernet - IEEE 802.3u auto-negotiation - Dual RJ-45 connectors with two LED indicators |
| Audio | AC'97 2.2 Audio |
| SCSI | N/A |
| Expansion Interface | - Support one PCI bus and one PCI-X bus (66MHz only) |
| ISA Bus | N/A |
| EIDE | Support four EIDE devices with Ultra DMA 100/66/33 |
| Solid State Disk | - One Type II CF socket - On Secondary EIDE channel - Bootable for no drives on primary channel |
| I/O | - Four serial (RS-232x3, selectable RS-232/422/485x1) & one IrDA 1.0 - Four USB 2.0 ports (Two ports on bracket for keyboard & Mouse) - Dual SATA port - 8 high driving GPIO (4 GPI, 4 GPO) |
| ACPI Function | - Modem-Ring-On and Wake-On-LAN |
| Hardware Monitoring | System monitor (fan, temperature, voltage) |
| Watchdog Timer | Programmable via software from 0.5 sec. to 254.5 min. |
| Power Requirement | Typical: +5V@2.2A; +12V(CPU)@6.5A; +12V (system)@0.1A; +3.3@0.4V |
| Mechanical | Dimension : 338.5(L) x 122(W) mm; 13.33"(L) x 4.8" (W) PCB: 8-layer |
| Environment | Operating Temperature: 0 to 55°C Storage Temperature: -20 to 80°C Relative Humidity: 5% to 90%, non-condensing |
| Approval | CE, FCC Class A |

*" Represents to be "over-clocking"