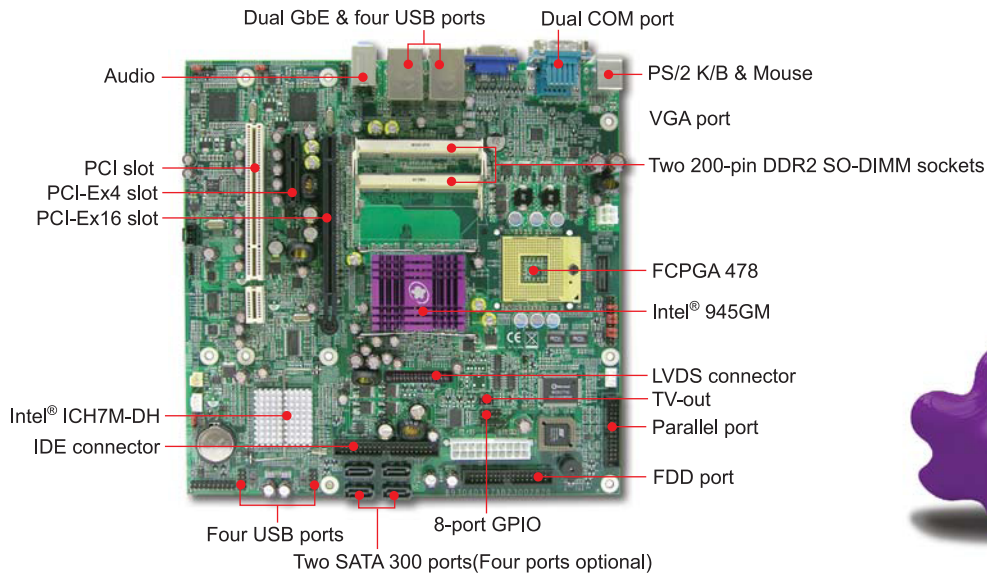


RUBY-9713VG2A

Intel® Core Duo/ Core Solo processor based uATX Industrial Mainboard with DDR2 SO-DIMM, VGA, Dual Gigabit Ethernet, Audio and USB



FEATURES

- Industrial mainboard in uATX form factor that supports Intel® Core Duo/ Core Solo processor for MoDT (Mobile on Desktop) application
- One 32-bit PCI expansion slot or support up to four PCI slots by riser card
- One PCI-Express x4 slot or support up to four PCI Express x1 slot by riser card
- Support GPIO, TV-Out and LVDS on board
- Adopts Intel Matrix Storage Technology to support RAID 0/1 (RAID 5/10 optional)
- Dual Gigabit Ethernet ports that based on PCI Express x1 interface without sharing bandwidth of PCI expansion bus
- Optional function: TPM(Trusted Platform Module)1.2 , AMT(Active Management Technology) 1.0

GENERAL

Processor	CPU & Package: Intel® Core Duo/ Core Solo processor FSB: 667/533MHz
Chipset/Core Logic	Intel® 945GM and ICH7M-DH
System Memory	Up to 4GB DDR2 667/533 SDRAM on two 200pin SO-DIMM sockets
BIOS	Award BIOS
Storage Devices	EIDE: Support two EIDE devices with Ultra DMA 100/66/33 SATA: Support two SATA 300 drives (four drives optional) RAID : RAID 0/1 (RAID 5/10 optional)
Solid State Disk	N/A
Watchdog Timer	Programmable via software from 0.5 sec. to 254.5 min.
Expansion Interface	- One 32-bit PCI expansion slot or support up to four PCI slots by riser card - One PCI-Express x4 slot or support up to four PCI Express x1 slot by riser card - One PCI-Express x16 slot
Hardware Monitoring	System monitor (fan, temperature, voltage)
Power Requirement	Standby +5@1.7A; +12V(CPU)@3A, +12V(System)@1A, +5V(System)@2.5A, +3.3V(System)@1.5A
Dimension	Dimension: 243.8(L) x 243.8(W) mm ; 9.6"(L) x 9.6"(W) PCB: 6-layer
Environment	Operating Temperature: 0 to 55°C Storage Temperature: -20 to 80°C Relative Humidity: 5% to 90%, non-condensing
MTBF	TBA

ORDERING GUIDE

Standard	RUBY-9713VG2A Intel® Core Duo/ Core Solo processor based uATX Industrial Mainboard
Optional	RUBY-9713VG2AR uATX Industrial Mainboard with Raid 0/1 PEP-541L PCI-E x 4 to PCI-E x 4 riser card PEP-544L PCI-E x 4 to four PCI-E x 1 riser card PEP-554L PCI to four PCI slots riser card

- * Specifications are subject to change without notice.
* Celeron®, Pentium® III, Pentium® 4 and Xeon™ are registered trademarks of Intel® Corporation
* Other trademarks, logo, brands and company names are the property of their respective owners

I/O

MIO	Two serial (RS-232x1, selectable RS-232/422/485x1) One parallel, one FDD channel, eight GPIO
IrDA	IrDA 1.0
Ethernet	-Dual 10BASE-T/100BASE-TX/1000BASE-T Ethernet -PCI Express x1 interface based Gigabit Ethernet -Dual RJ-45 connectors with two LED indicators at rear I/O panel
Audio	AC'97 2.2 Audio
USB	Eight USB 2.0 ports (Four ports at rear I/O panel; four ports internal)
Keyboard & Mouse	Dual 6-pin mini-DIN connector at rear I/O panel for PS/2 keyboard/mouse

DISPLAY

Graphic Controller	GMCH integrated Intel® Graphics Media Accelerator 950 (Intel® GMA 950)
Graphic Memory	Dynamic share system memory up to 224MB (Intel® DVMT 3.0) or static share system memory up to 128MB
Display Interface	Display resolution up to 2048x1536 ; TV-Out, LVDS



Portwell, Inc. (Headquarters)
3F, No. 92, Sec. 1, Nei-Hu Rd.,
Fremont, CA 94538, USA
Tel: +886-2-27992020
Fax: +886-2-27991010
E-mail: info@portwell.com.tw
http://www.portwell.com.tw

American Portwell
44200 Christy St.
Fremont, CA 94538, USA
Tel: +1-510-403-3399
Fax: +1-510-403-3184
E-mail: info@portwell.com
http://www.portwell.com

Portwell Japan, Inc.
〒101-0042 ShowaKanda Buidi, 10-2
Kanda Higashi matsushita-cho
chiyoda-ku Tokyo Japan
Tel: +81-3-5298-8071
Fax: +81-3-5298-8072
E-mail: info@portwell.co.jp
http://www.portwell.co.jp

Portwell-Laxsons India
Laxsons House, AA2, Walbhat Road,
Goregaon (E), Mumbai - 400 063,
Maharashtra, India.
Tel: +91-22-2685-9911
Fax: +91-22-2685-9922
E-mail: info@portwelllaxsons.com
http://www.portwelllaxsons.com

Beijing Portwell
6F, Building 3, Qunying Zone,
Chuangye Rd. 8, Shangdi, Haidian
District, Beijing, China 100085
Tel: +86-10-82701616
Fax: +86-10-82700606
E-mail: info@portwell.com.cn
http://www.portwell.com.cn

EMCA (UK)
Unit 30, Basepoint Enterprise Centre
Stroudley Road, Basingstoke,
Hampshire, RG24 8UP UK
Tel: +44-1256-406688
Fax: +44-1256-406689
E-mail: info@emca.co.uk
http://www.emca.co.uk